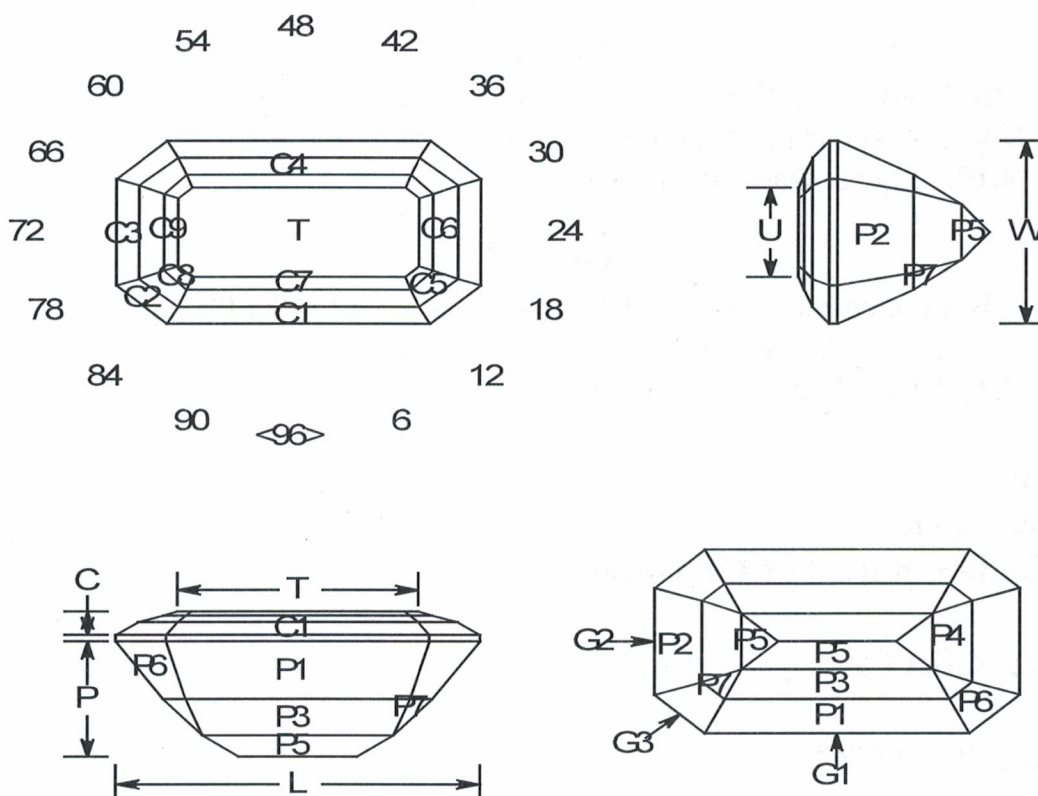


Queensland Faceting Competition 2017

NOVICE DIVISION SECTION N.9B.1

To be cut in CZ



Emerald Cut for CZ

Critical Angle 34.62

Angles for R.I. = 2.160

45 + 8 girdles = 53 facets

2-fold, mirror-image symmetry

96 index

$L/W = 1.498$ $T/W = 0.988$ $U/W = 0.493$

$P/W = 0.628$ $C/W = 0.125$

$Vol./W^3 = 0.592$

PAVILION

G1	90.00°	96-48
G2	90.00°	24-72
P1	59.25°	96-48
P2	59.25°	24-72
P3	49.00°	96-48
P4	49.00°	24-72
P5	39.00°	96-48
P5	39.00°	24-72
P7	49.00°	12-36-60-84
P6	59.25°	12-36-60-84
G3	90.00°	12-36-60-84

CROWN

C1	35.00°	96-48
C2	35.00°	12-36-60-84
C3	35.00°	24-72
C4	23.63°	96-48
C5	23.63°	12-36-60-84
C6	23.63°	24-72
C7	14.18°	96-48
C8	14.18°	12-36-60-84
C9	14.18°	24-72
T	0.00°	Table