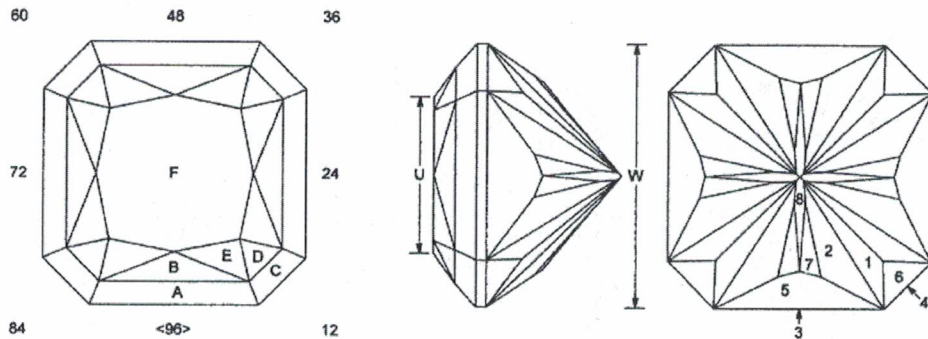


Queensland Faceting Competition 2017
NOVICE DIVISION SECTION N.10.1
To be cut in CZ



SQUARE RADIANT

by Basil Watermeyer
 Angles for R.I. = 2.160
 61 + 8 girdles = 69 facets
 4-fold, mirror-image symmetry
 96 index
 $L/W = 1.000$ $T/W = 0.599$ $U/W = 0.599$
 $P/W = 0.512$ $C/W = 0.161$
 $Vol./W^3 = 0.316$

PAVILION

1	41.00°	09-15-33-39- 57-63-81-87	Cut to TCP
2	41.46°	06-18-30-42- 54-66-78-90	meet 1 at TCP
3	90.00°	96-24-48-72	Set Size
4	90.00°	12-36-60-84	meet 1,2 & 3
5	56.16°	96-24-48-72	meet 1,2,3,4 at girdle
6	45.35°	12-36-60-84	meet 1,2,3,4,5 at Girdle
7	41.00°	03-21-27-45- 51-69-75-93	meet 1 & 2 at TCP
8	40.00°	96-24-48-72	meet 5 & 7 and make PCP

CROWN

A	42.00°	96-24-48-72	Set Girdle Width
B	36.00°	96-24-48-72	Meet A at Girdle
C	42.00°	12-36-60-84	Level Girdle
D	30.19°	12-36-60-84	Meet A,B,C
E	26.16°	03-21-27-45- 51-69-75-93	Meet A,B,C,D
F	0.00°	Table	

Crown Facet D may be cut after Table F to ensure Meet Points